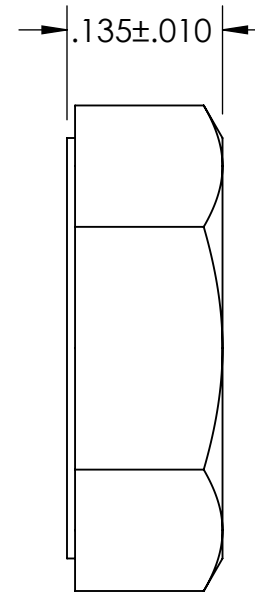
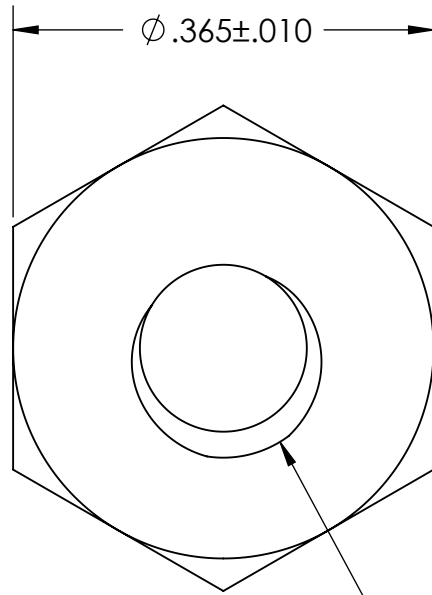


UNCONTROLLED DOCUMENT



10-24 LOCKING THREADS

NOTE: DESIGNED FOR USE WITH STEEL SCREW

TOLERANCES UNLESS NOTED

- $\pm .005$ ON DIMENSIONS THRU $.625$
- $\pm .008$ ON DIMENSIONS $.626$ THRU 1.000
- $\pm .010$ ON DIMENSIONS 1.001 THRU 1.500
- $\pm .015$ ON DIMENSIONS LARGER THAN 1.500
- $\pm .015$ ON FRACTIONAL DIMENSIONS

**WE RESERVE THE RIGHT
TO DISCONTINUE ITEMS,
CHANGE SPECIFICATIONS
OR DESIGN AT ANY TIME
WITHOUT NOTICE AND
WITHOUT INCURRING
ANY OBLIGATIONS**

PROPERTY OF		
MICRO PLASTICS INC.		
CATALOG DRAWING NYLON HEX NUTS MICRO P/N 0701024LN DWG. # 0701024LN FILE SERVER\ENG\WEB		
MATERIAL:		NYLON 6/6
DATE	SCALE 6:1	Mike H.