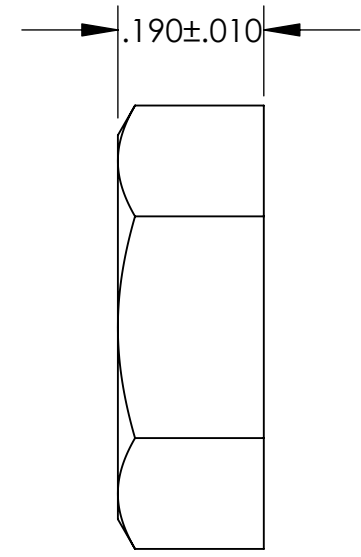
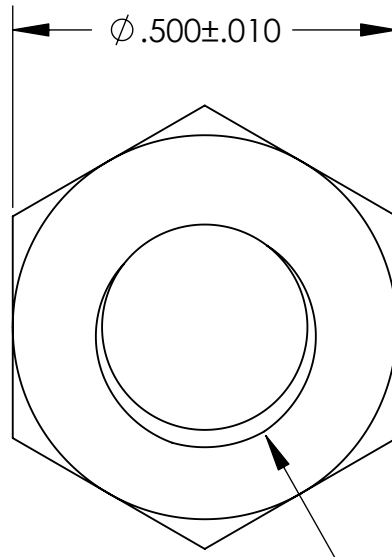


UNCONTROLLED DOCUMENT



5/16"-24 THREADS

TOLERANCES UNLESS NOTED

- ±.005 ON DIMENSIONS THRU .625
- ±.008 ON DIMENSIONS .626 THRU 1.000
- ±.010 ON DIMENSIONS 1.001 THRU 1.500
- ±.015 ON DIMENSIONS LARGER THAN 1.500
- ±.015 ON FRACTIONAL DIMENSIONS

WE RESERVE THE RIGHT TO DISCONTINUE ITEMS, CHANGE SPECIFICATIONS OR DESIGN AT ANY TIME WITHOUT NOTICE AND WITHOUT INCURRING ANY OBLIGATIONS

| | | |
|---|-------|-----------|
| PROPERTY OF | | |
| MICRO PLASTICS INC. | | |
| CATALOG DRAWING NYLON HEX JAM NUTS MICRO P/N 0431224HJN DWG. # 0431224HJN FILE SERVER\ENG\WEB | | |
| MATERIAL: | | NYLON 6/6 |
| DATE | SCALE | SD |
| | 4:1 | |