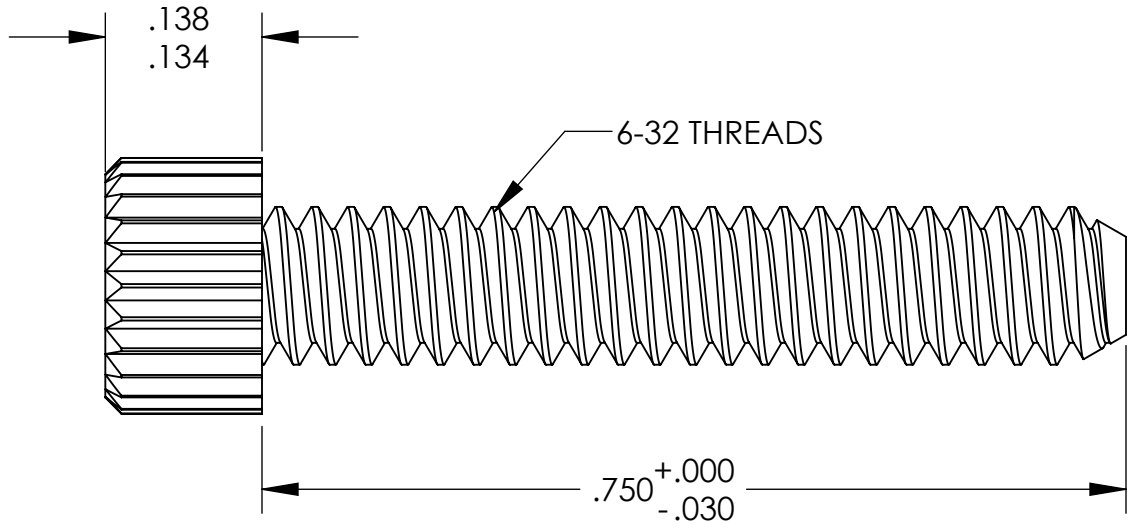
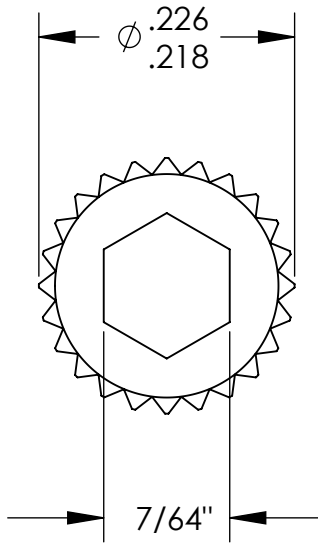


**UNCONTROLLED DOCUMENT**



NOTES:  
.064 MINIMUM KEY ENGAGEMENT

**TOLERANCES UNLESS NOTED**

- ±.005 ON DIMENSIONS THRU .625
- ±.008 ON DIMENSIONS .626 THRU 1.000
- ±.010 ON DIMENSIONS 1.001 THRU 1.500
- ±.015 ON DIMENSIONS LARGER THAN 1.500
- ±.015 ON FRACTIONAL DIMENSIONS

**WE RESERVE THE RIGHT  
TO DISCONTINUE ITEMS,  
CHANGE SPECIFICATIONS  
OR DESIGN AT ANY TIME  
WITHOUT NOTICE AND  
WITHOUT INCURRING  
ANY OBLIGATIONS**

|   |       |            |
|---|-------|------------|
| PROPERTY OF   |       |            |
| <b>MICRO PLASTICS INC.</b>  |       |            |
| CATALOG DRAWING<br>HEX SOCKET CAP MACHINE SCREW<br>MICRO P/N 3406320075<br>DWG. # 3406320075<br>FILE SERVER\ENG\WEB |       |            |
| MATERIAL:   |       | 6/6 NYLON  |
| DATE  | SCALE | <b>JDD</b> |
|   | 6:1   |            |