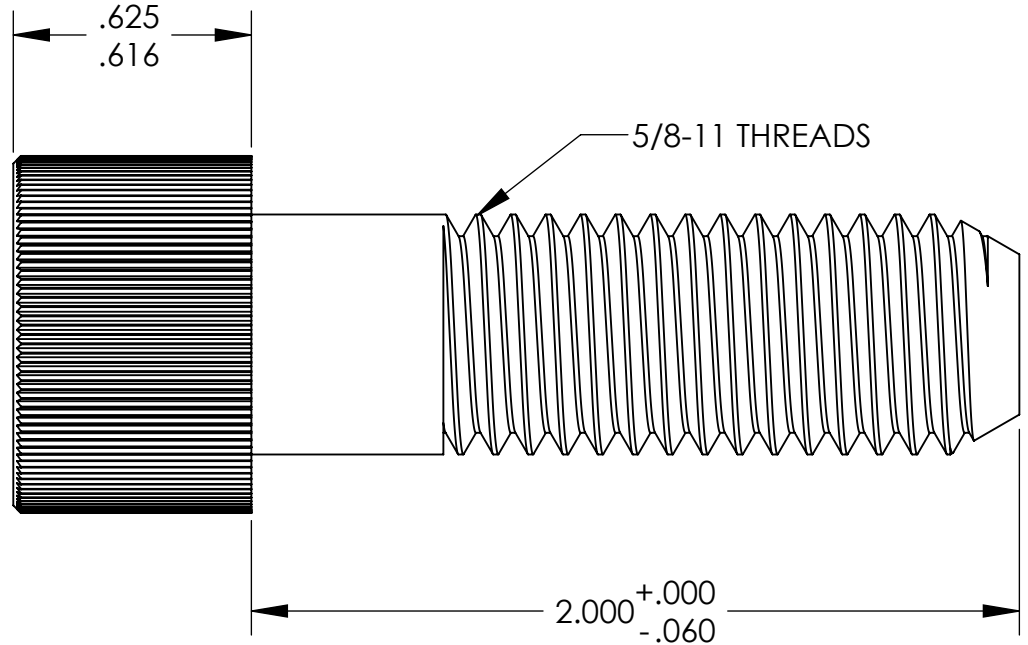
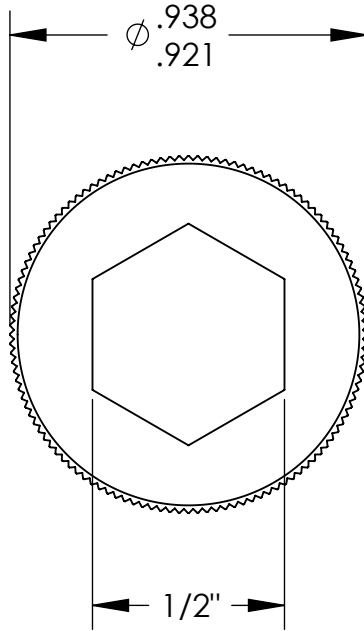


**UNCONTROLLED DOCUMENT**



NOTES:  
.307 MINIMUM KEY ENGAGEMENT

TOLERANCES UNLESS NOTED

- $\pm .005$  ON DIMENSIONS THRU  $.625$
- $\pm .008$  ON DIMENSIONS  $.626$  THRU  $1.000$
- $\pm .010$  ON DIMENSIONS  $1.001$  THRU  $1.500$
- $\pm .015$  ON DIMENSIONS LARGER THAN  $1.500$
- $\pm .015$  ON FRACTIONAL DIMENSIONS

**WE RESERVE THE RIGHT  
TO DISCONTINUE ITEMS,  
CHANGE SPECIFICATIONS  
OR DESIGN AT ANY TIME  
WITHOUT NOTICE AND  
WITHOUT INCURRING  
ANY OBLIGATIONS**

PROPERTY OF  
**MICRO PLASTICS INC.**

CATALOG DRAWING  
HEX SOCKET CAP MACHINE SCREW  
MICRO P/N 3462511200  
DWG. # 3462511200  
FILE SERVER\ENG\WEB

MATERIAL: 6/6 NYLON

DATE	SCALE 2:1	<b>JDD</b>
------	--------------	------------