

NOTES:

1. HOLE SIZE .250
2. PANEL THICKNESS .156

UNCONTROLLED DOCUMENT

D

C

B

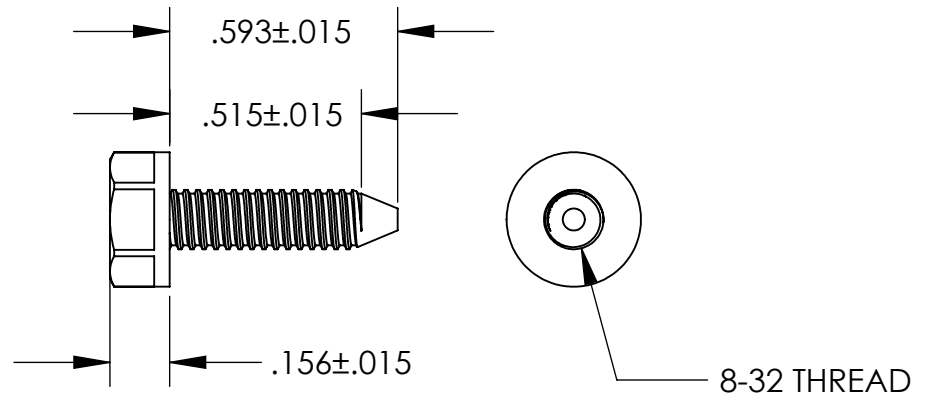
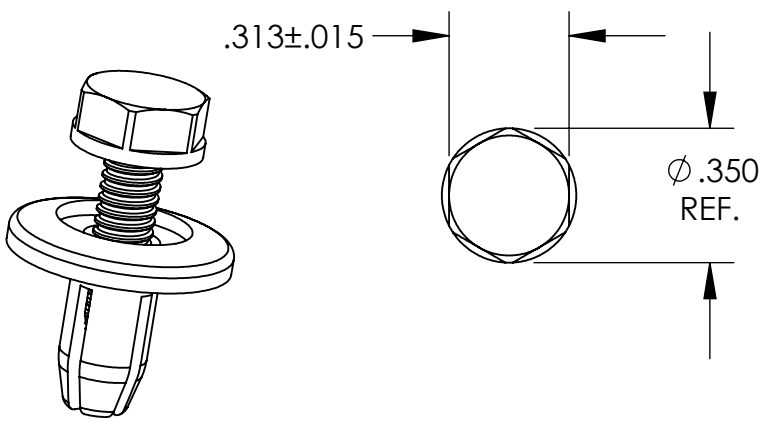
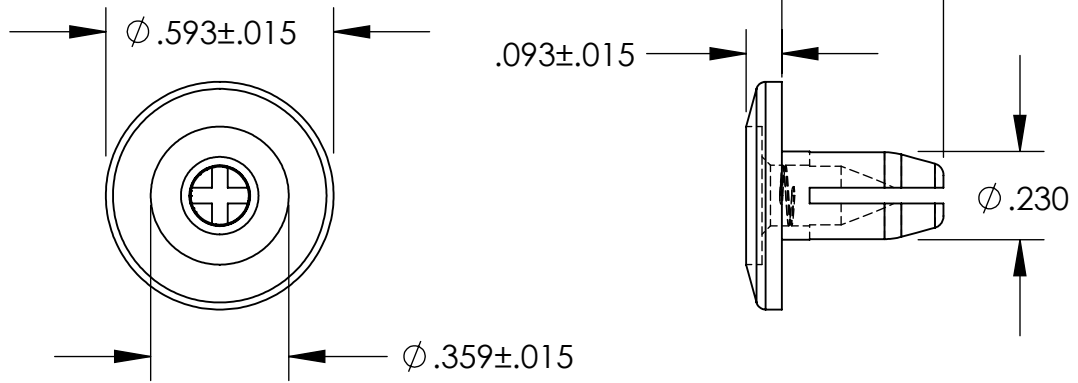
A

D

C

B

A



TOLERANCES UNLESS NOTED

- $\pm .005$ ON DIMENSIONS THRU .625
- $\pm .008$ ON DIMENSIONS .626 THRU 1.000
- $\pm .010$ ON DIMENSIONS 1.001 THRU 1.500
- $\pm .015$ ON DIMENSIONS LARGER THAN 1.500
- $\pm .015$ ON FRACTIONAL DIMENSIONS

WE RESERVE THE RIGHT
TO DISCONTINUE ITEMS,
CHANGE SPECIFICATIONS
OR DESIGN AT ANY TIME
WITHOUT NOTICE AND
WITHOUT INCURRING
ANY OBLIGATIONS

PROPERTY OF
MICRO PLASTICS INC.

CATALOG DRAWING
SPECIAL ITEM TWO PIECE RIVET
MICRO P/N 401022
DWG. # 401022
FILE SERVER\ENG\WEB

MATERIAL: NYLON 6/6

DATE	SCALE 2:1	TA
------	--------------	-----------