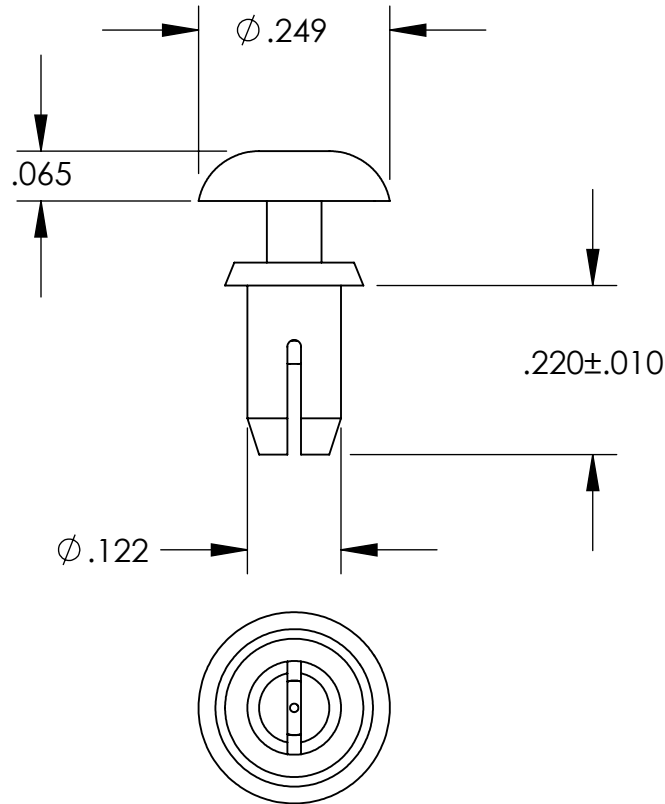


UNCONTROLLED DOCUMENT



NOTES:
 HOLE SIZE .127 / .131
 PANEL THICKNESS .122 / .160

TOLERANCES UNLESS NOTED

- $\pm .005$ ON DIMENSIONS THRU $.625$
- $\pm .008$ ON DIMENSIONS $.626$ THRU 1.000
- $\pm .010$ ON DIMENSIONS 1.001 THRU 1.500
- $\pm .015$ ON DIMENSIONS LARGER THAN 1.500
- $\pm .015$ ON FRACTIONAL DIMENSIONS

WE RESERVE THE RIGHT
 TO DISCONTINUE ITEMS,
 CHANGE SPECIFICATIONS
 OR DESIGN AT ANY TIME
 WITHOUT NOTICE AND
 WITHOUT INCURRING
 ANY OBLIGATIONS

PROPERTY OF
MICRO PLASTICS INC.

CATALOG DRAWING
 SNAP RIVET
 MICRO P/N 27SR0012
 DWG. # 27SR0012
 FILE SERVER\ENG\WEB

MATERIAL: NYLON 6/6; BLACK

DATE	SCALE 4:1	TA
------	--------------	-----------