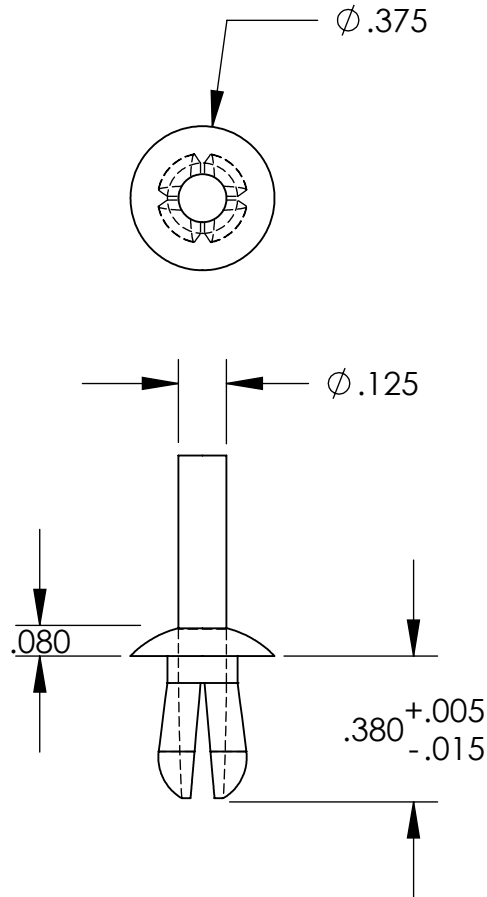


UNCONTROLLED DOCUMENT

NOTES:
 HOLE SIZE - .187
 PANEL THICKNESS - .156 / .281
 HEAD STYLE - ROUND



TOLERANCES UNLESS NOTED

- $\pm .005$ ON DIMENSIONS THRU $.625$
- $\pm .008$ ON DIMENSIONS $.626$ THRU 1.000
- $\pm .010$ ON DIMENSIONS 1.001 THRU 1.500
- $\pm .015$ ON DIMENSIONS LARGER THAN 1.500
- $\pm .015$ ON FRACTIONAL DIMENSIONS

WE RESERVE THE RIGHT
 TO DISCONTINUE ITEMS,
 CHANGE SPECIFICATIONS
 OR DESIGN AT ANY TIME
 WITHOUT NOTICE AND
 WITHOUT INCURRING
 ANY OBLIGATIONS

| | | |
|---|--------------|-----------|
| PROPERTY OF | | |
| MICRO PLASTICS INC. | | |
| CATALOG DRAWING POLY DRIVE RIVET MICRO P/N 61PR010310 DWG. # 61PR010310 FILE SERVER\ENG\WEB | | |
| MATERIAL: | | NYLON 6/6 |
| DATE | SCALE 2:1 | TA |