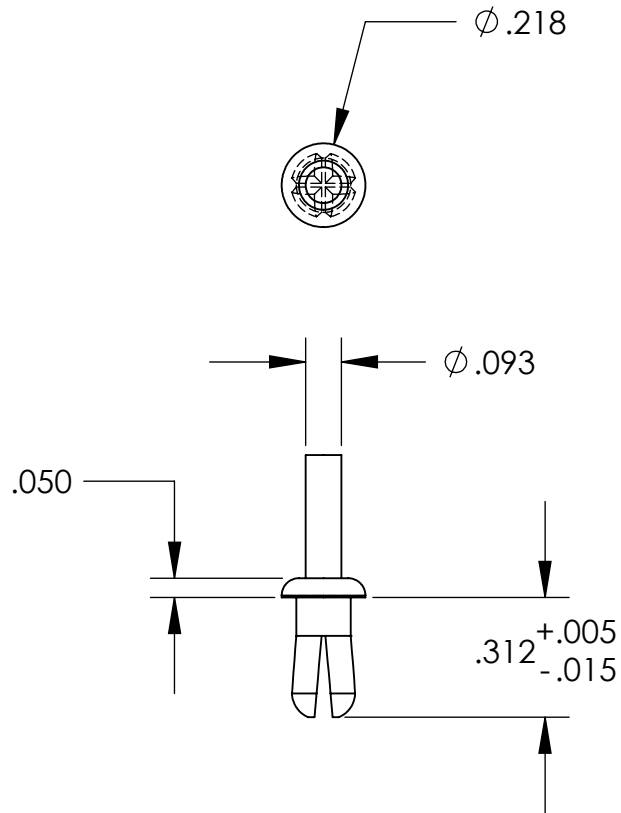


UNCONTROLLED DOCUMENT

NOTES:
 HOLE SIZE - .156
 PANEL THICKNESS - .187 / .250
 HEAD STYLE - BINDER



TOLERANCES UNLESS NOTED

- $\pm .005$ ON DIMENSIONS THRU $.625$
- $\pm .008$ ON DIMENSIONS $.626$ THRU 1.000
- $\pm .010$ ON DIMENSIONS 1.001 THRU 1.500
- $\pm .015$ ON DIMENSIONS LARGER THAN 1.500
- $\pm .015$ ON FRACTIONAL DIMENSIONS

WE RESERVE THE RIGHT
 TO DISCONTINUE ITEMS,
 CHANGE SPECIFICATIONS
 OR DESIGN AT ANY TIME
 WITHOUT NOTICE AND
 WITHOUT INCURRING
 ANY OBLIGATIONS

PROPERTY OF
MICRO PLASTICS INC.

CATALOG DRAWING
 POLY DRIVE RIVET
 MICRO P/N 61PR100100
 DWG. # 61PR100100
 FILE SERVER\ENG\WEB

MATERIAL: NYLON 6/6

DATE

SCALE
 2:1

TA