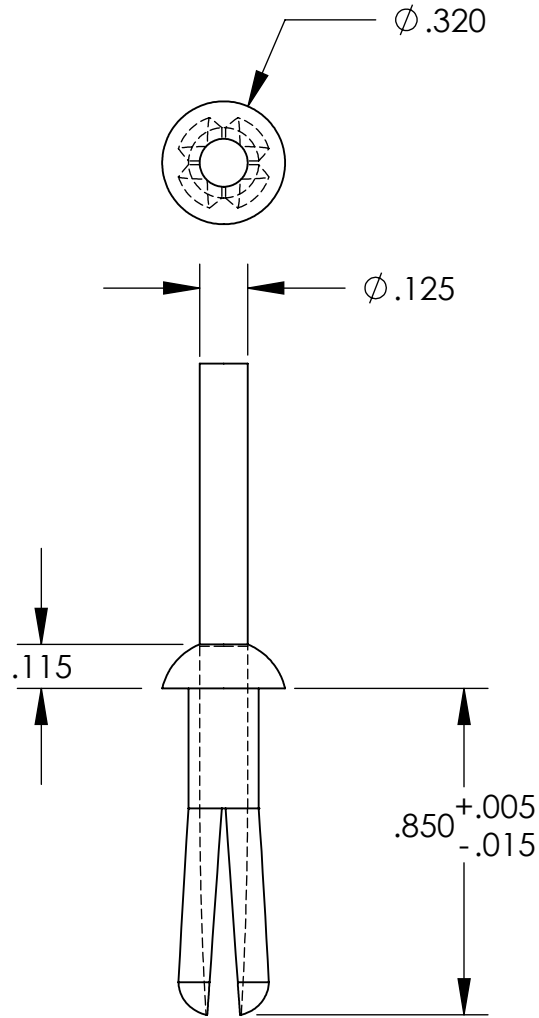


# UNCONTROLLED DOCUMENT



NOTES:  
 HOLE SIZE - .187  
 PANEL THICKNESS - .375 / .750  
 HEAD STYLE - BINDER  
 WILL NOT WORK WITH DRIVE RIVET INSERTION TOOLS

## TOLERANCES UNLESS NOTED

- $\pm .005$  ON DIMENSIONS THRU .625
- $\pm .008$  ON DIMENSIONS .626 THRU 1.000
- $\pm .010$  ON DIMENSIONS 1.001 THRU 1.500
- $\pm .015$  ON DIMENSIONS LARGER THAN 1.500
- $\pm .015$  ON FRACTIONAL DIMENSIONS

WE RESERVE THE RIGHT  
 TO DISCONTINUE ITEMS,  
 CHANGE SPECIFICATIONS  
 OR DESIGN AT ANY TIME  
 WITHOUT NOTICE AND  
 WITHOUT INCURRING  
 ANY OBLIGATIONS

PROPERTY OF		
<b>MICRO PLASTICS INC.</b>		
CATALOG DRAWING POLY DRIVE RIVET MICRO P/N 61PR300800 DWG. # 61PR300800 FILE SERVER\ENG\WEB		
MATERIAL:		NYLON 6/6
DATE	SCALE	<b>TA</b>
	2:1	