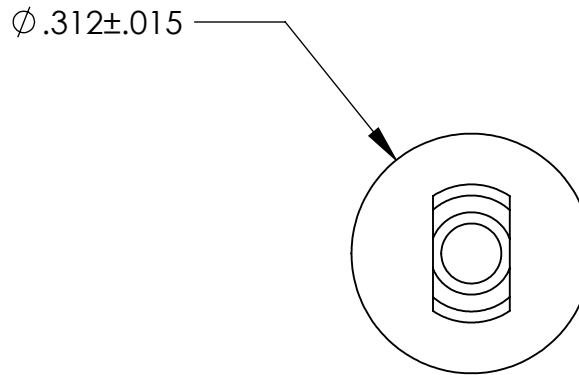
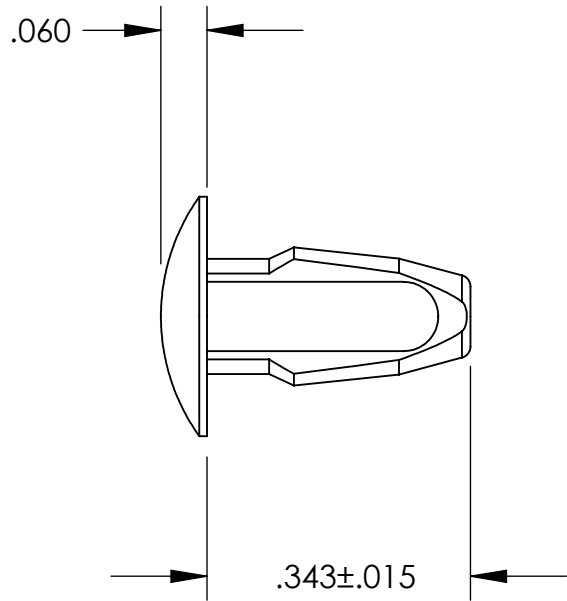


UNCONTROLLED DOCUMENT

NOTES:
HOLE SIZE .156
PANEL THICKNESS .093



TOLERANCES UNLESS NOTED

- ±.005 ON DIMENSIONS THRU .625
- ±.008 ON DIMENSIONS .626 THRU 1.000
- ±.010 ON DIMENSIONS 1.001 THRU 1.500
- ±.015 ON DIMENSIONS LARGER THAN 1.500
- ±.015 ON FRACTIONAL DIMENSIONS

WE RESERVE THE RIGHT
TO DISCONTINUE ITEMS,
CHANGE SPECIFICATIONS
OR DESIGN AT ANY TIME
WITHOUT NOTICE AND
WITHOUT INCURRING
ANY OBLIGATIONS

PROPERTY OF		
MICRO PLASTICS INC.		
CATALOG DRAWING SNAP CLIP MICRO P/N 27SNC1560093 DWG. # 27SNC1560093 FILE SERVER\ENG\WEB		
MATERIAL:		6/6 NYLON
DATE	SCALE 4:1	DSB