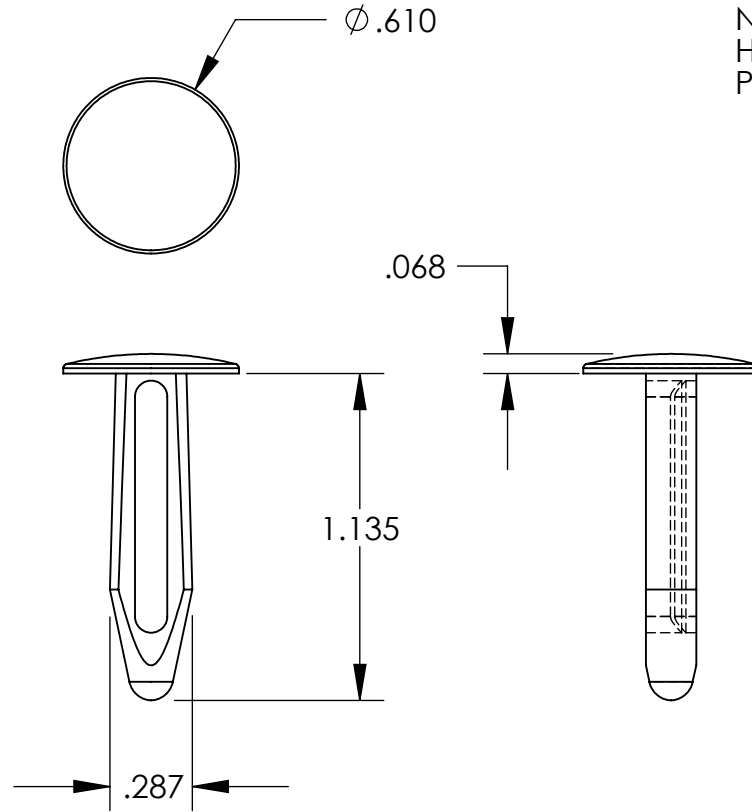


UNCONTROLLED DOCUMENT

NOTES:
HOLE SIZE - .250 / .260
PANEL THICKNESS - .500 / .750



TOLERANCES UNLESS NOTED

- $\pm .005$ ON DIMENSIONS THRU .625
- $\pm .008$ ON DIMENSIONS .626 THRU 1.000
- $\pm .010$ ON DIMENSIONS 1.001 THRU 1.500
- $\pm .015$ ON DIMENSIONS LARGER THAN 1.500
- $\pm .015$ ON FRACTIONAL DIMENSIONS

WE RESERVE THE RIGHT
TO DISCONTINUE ITEMS,
CHANGE SPECIFICATIONS
OR DESIGN AT ANY TIME
WITHOUT NOTICE AND
WITHOUT INCURRING
ANY OBLIGATIONS

PROPERTY OF
MICRO PLASTICS INC.

CATALOG DRAWING
ARROW CLIP
MICRO P/N 27AC0024
DWG. # 27AC0024
FILE SERVER\ENG\WEB

MATERIAL: NYLON 6/6

DATE

SCALE
1.5:1

TA