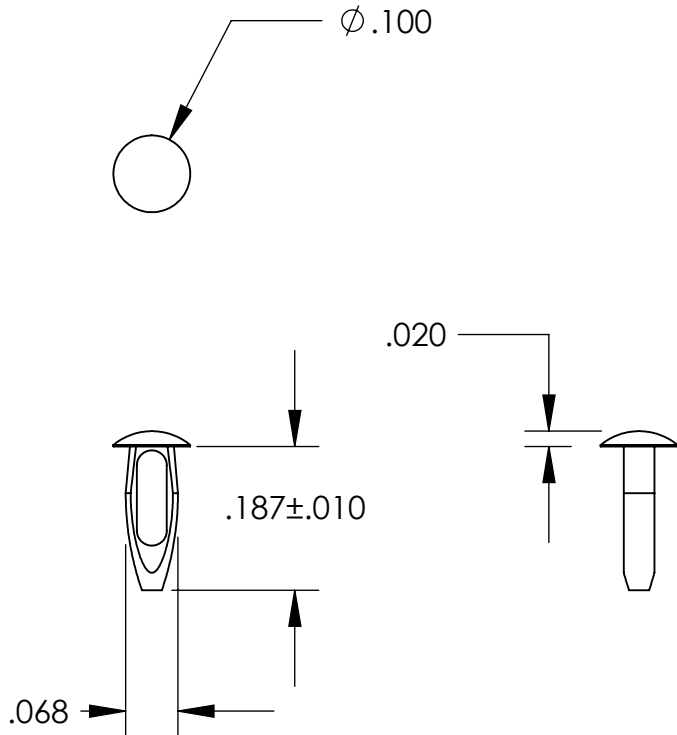


UNCONTROLLED DOCUMENT

NOTES:
 HOLE SIZE - .062 / .065
 PANEL THICKNESS - .010 / .031



TOLERANCES UNLESS NOTED

- $\pm .005$ ON DIMENSIONS THRU .625
- $\pm .008$ ON DIMENSIONS .626 THRU 1.000
- $\pm .010$ ON DIMENSIONS 1.001 THRU 1.500
- $\pm .015$ ON DIMENSIONS LARGER THAN 1.500
- $\pm .015$ ON FRACTIONAL DIMENSIONS

WE RESERVE THE RIGHT
 TO DISCONTINUE ITEMS,
 CHANGE SPECIFICATIONS
 OR DESIGN AT ANY TIME
 WITHOUT NOTICE AND
 WITHOUT INCURRING
 ANY OBLIGATIONS

PROPERTY OF
MICRO PLASTICS INC.

CATALOG DRAWING
 ARROW CLIP
 MICRO P/N 27AC0027
 DWG. # 27AC0027
 FILE SERVER\ENG\WEB

MATERIAL: NYLON 6/6

DATE	SCALE 4:1	TA
------	--------------	-----------